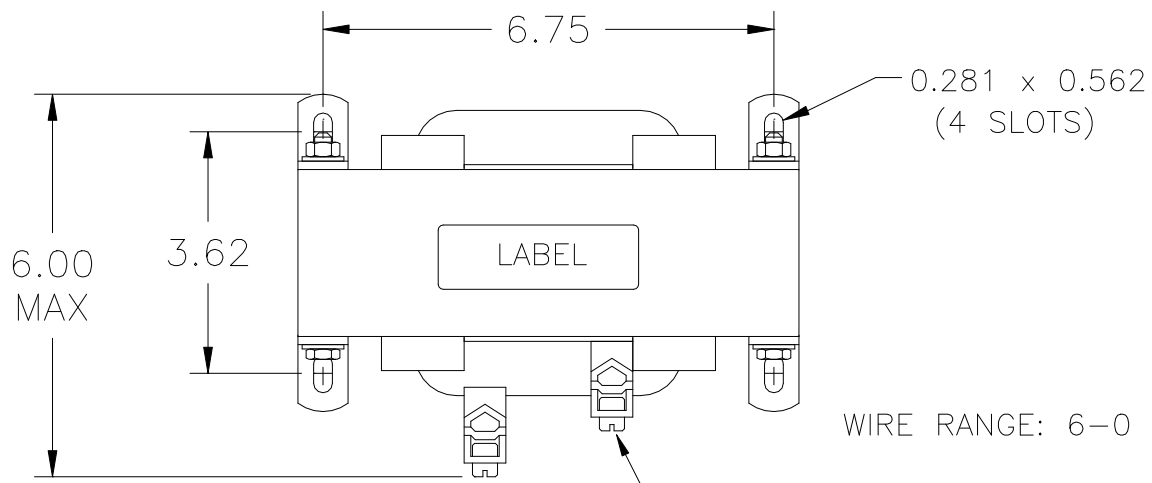


INDUCTANCE	LOSSES	WEIGHT
0.5 mH	48 Watts	27 Lbs

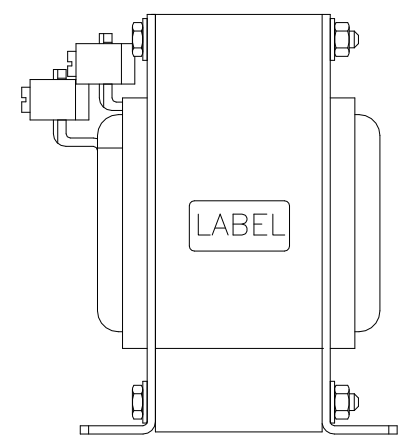
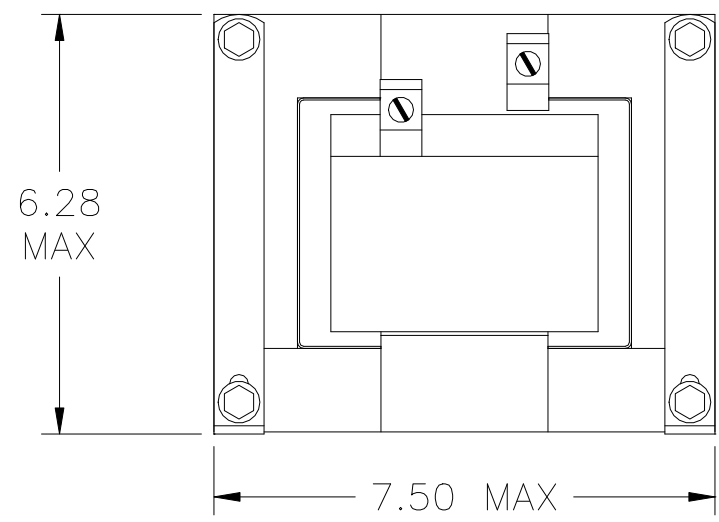
NO.	CHANGE DESCRIPTION	BY	DATE	C'K'D
06	REVISED PER ECR 7175, ADDED CD	RS	8/23/10	

FILE:



WIRE RANGE: 6-0 AWG

CAUTION-TERMINAL SCREW TIGHTENING  
TORQUE: 6-4 (45) in-lb MAX.  
2-0 (50) in-lb MAX.



UNLESS OTHERWISE SPECIFIED, DIMENSIONS ARE IN INCHES [mm] AND TOLERANCES ARE:

DECI.                      FRAC.

ANGLES                      DRILLED HOLES

PART NAME:	DC LINK CHOKE
DESCRIPTION:	OUTLINE DIMENSION
FINISH:	

MTE CORPORATION MENOMONEE FALLS, WISCONSIN			
CD 125RB003			REV. 06
SCALE	NTS	DATE 06/05/97	C'K'D
REF.		DR. BY PB JR.	APP'D